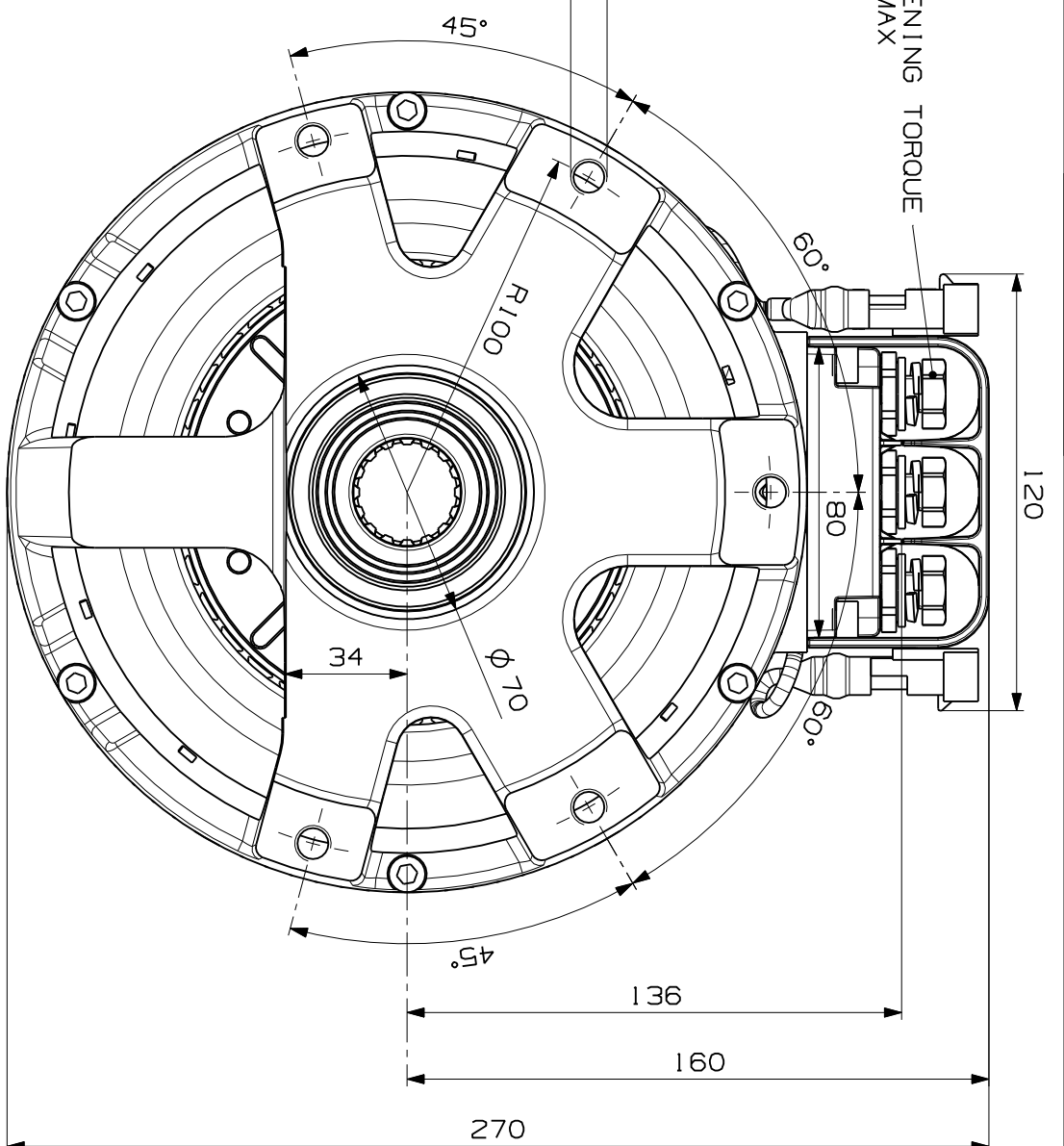


ENCODER CONNECTOR TYPE AMP SUPERSEAL 4 POSITIONS

THERMAL DRILL CONNECTOR TYPE AMP SUPERSEAL 2 POSITIONS


N° 5 HOLES M 10 DEPTH OF THREAD 20mm



RATING DATA ACCORDING TO EN 1175-1 APPENDIX B	
POWER	10 kW
VOLTAGE	55.9 V
CURRENT	139 A
RATED SPEED	1900 RPM
MAXIMUM SPEED	4500 RPM
FREQUENCY	63 Hz
cos φ	0,85
SERVICE	S2 60°
INSULATION CLASS	F
PROTECTION DEGREE	IP 00
BEARINGS	6206 2RS
WEIGHT	46 Kg

MAGNETIC SENSOR	
PIN 1	POSITIVE
PIN 2	GROUND
PIN 3	CHANNEL A
PIN 4	CHANNEL B

COMPONENT		CODE
ROTOR		MT647B
STATOR		MT649B
WINDING		MT648B
FRONT COVER		MT588B
REAR COVER		MT579B



Drawn: A.C.C.
Approved: A.S.
Date: 28/11/05

Scale: 1:2

LIMIT OF ACCURACY	DEVIATION	TOLENANCE
UP TO 6	+0.1	0,2
UP TO 30	+0.2	0,4
UP TO 120	+0.3	0,6
UP TO 315	+0.5	1
UP TO 1000	+0.8	1,6
UP TO 2000	+1.2	2,4
UP TO 4000	+2	4
UP TO 10000	+3	8

Modification

Replaces	Name	Date	Signature

Replaces

Replaces	Name	Date	Signature

Code: MA165-1280/00 PMS701

Code: MT650B

Sheet 1 of 2

THIS DRAWING IS OUR EXCLUSIVE PROPERTY. IT CAN NOT BE COPIED, REPRODUCED, TRANSMITTED TO OTHER PEOPLE OR USED IN ANY WAY WITHOUT OUR CONSENT. ANY INFRINGEMENT WILL BE LEGALLY PURSUED.