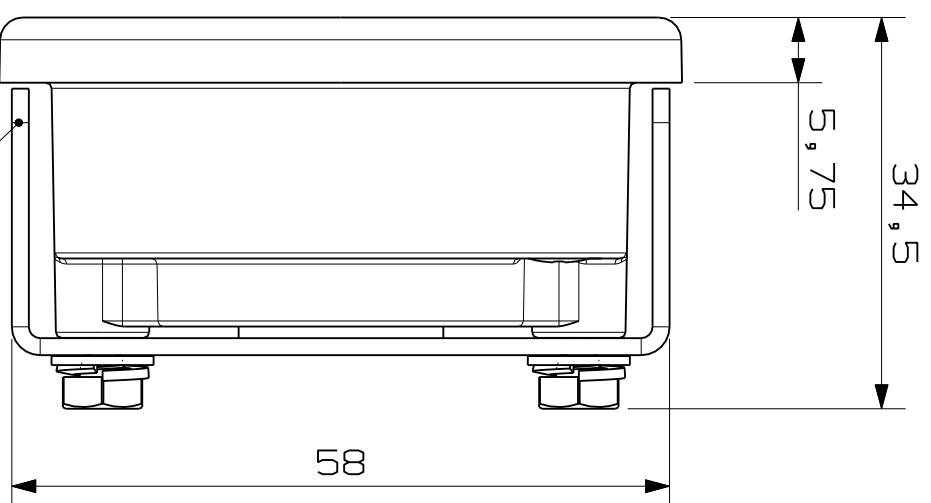
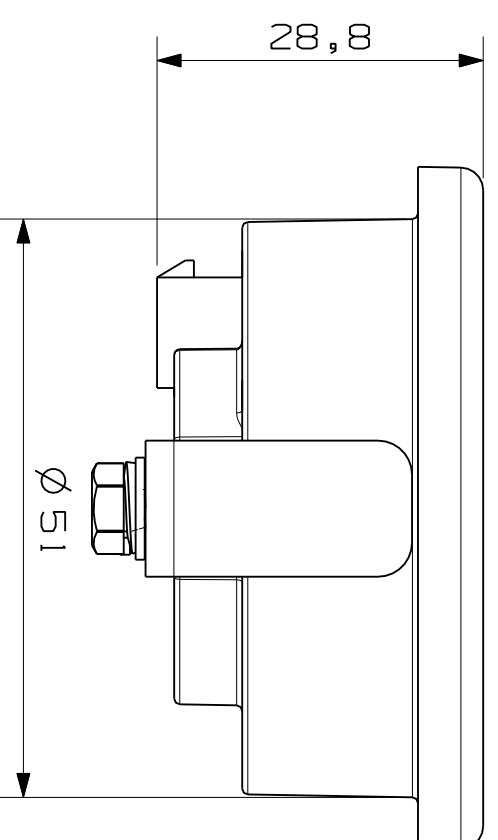
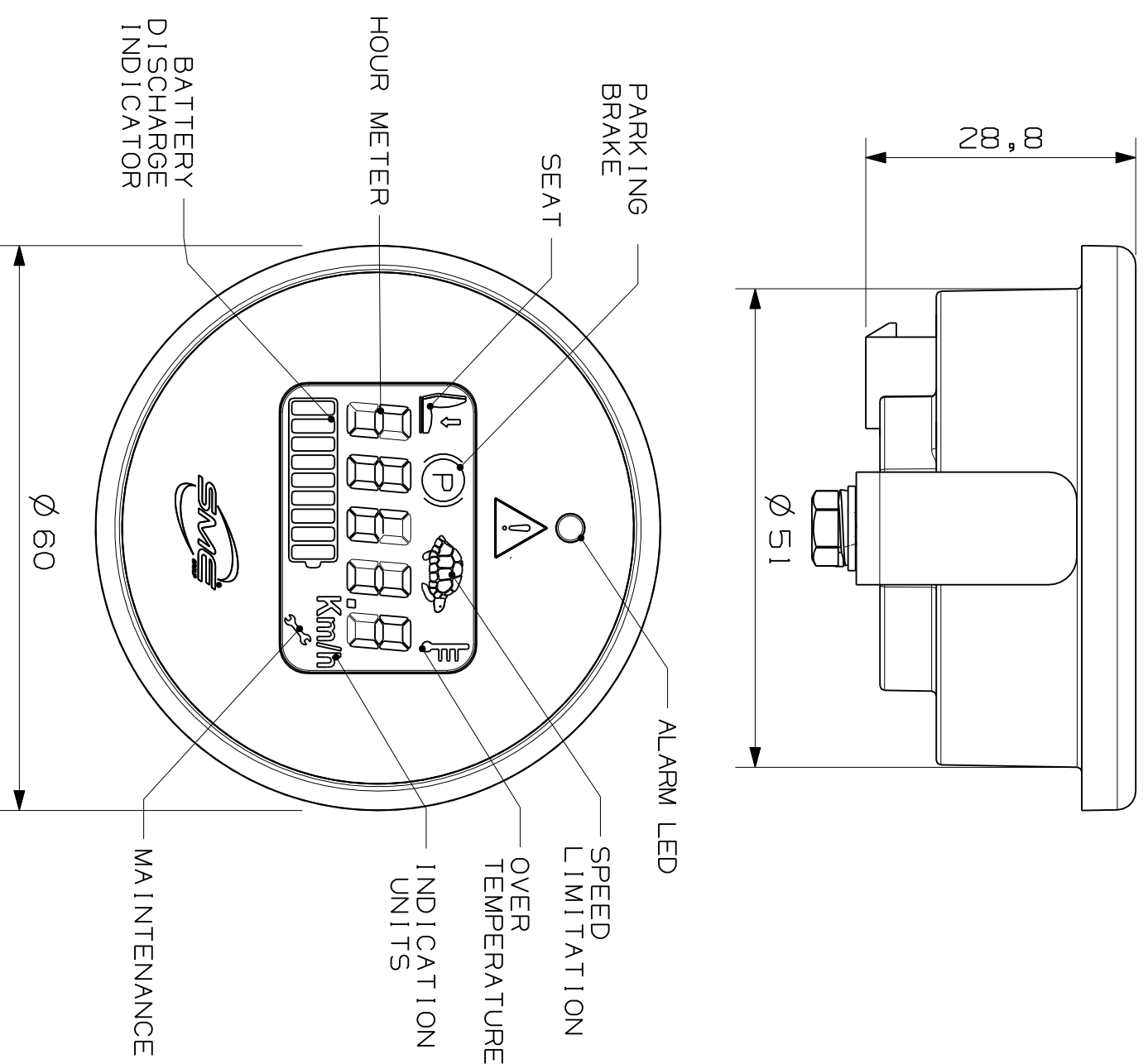


DISPLAY TYPE	TN AMBER
OPERATING VOLTAGE	10-15V
SUPPLY CURRENT	60 mA MAX.
OPERATING TEMPERATURE	-30°C TO +70°C
PROTECTION	IP65 (FRONT) IP40 (REAR)
WEIGHT	0.1 kg
TYPE CODE	E00CRO29B00
SOFTWARE CODE	ASW...
PRODUCT CODE	B00CRO30B00



U CLAMP FOR 0,5 TO 3mm
PANEL THICKNESS



CONNECTIONS LIN-BUS	
1	NC
2	NC
3	NC
4	NC
5	+12V
6	RESERVED
7	LIN
8	GND

Rev.	Modification	Date	Signature

Scale:	1:	
Medium Limit of Accuracy:		
Deviation:		
Tolerance:		

SMAE INSTRUMENTS

Drawn: Zulpo
Approved: Zulpo
Date: 07/07/08

Replaced: Replaces: Name: Code: **CR030B**

MINI-LIN BUS DISPLAY

THIS DRAWING IS OUR EXCLUSIVE PROPERTY. IT CAN NOT BE COPIED, REPRODUCED, TRANSMITTED TO OTHER PEOPLE OR USED IN ANY WAY WITHOUT OUR CONSENT. ANY INFRINGEMENT WILL BE LEGALLY PURSUED.

Sheet **01** of **01**